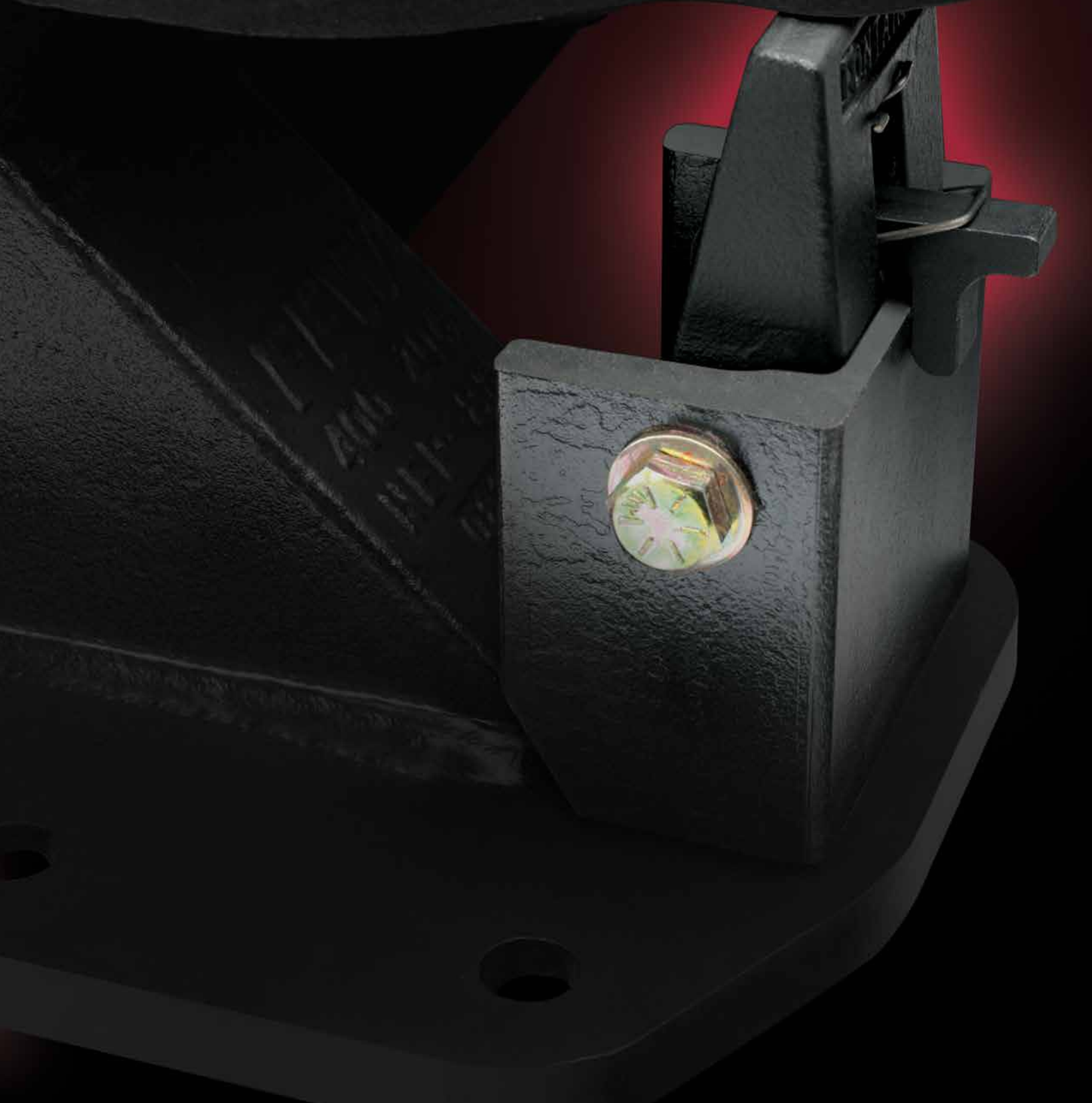


FONTAINE ADVANCED DESIGN NO-TILT FIFTH WHEELS

Built tough and easy to operate



Get connected. Stay connected.

The fifth wheel that thinks it's a convertible.

Remember the days when you hassled with all kinds of awkward, dirty, heavy and frustrating contraptions to engage/disengage a no-tilt fifth wheel? Well, those days are gone. Forever. The new line of Fontaine heavy/severe-duty fifth wheels features an integrated design concept to handle no-tilt applications with ease.

All you need is a 7000 or H7 Series No-Slack® top plate combined with one of our fully assembled no-tilt mounts. Or you can convert any of our new heavy/severe-duty fifth wheels to no-tilt by bolting on the no-tilt aftermarket kit (See photo below).

- ✓ **Easy to operate**—Simply disengage four stops to switch from a no-tilt to a rocking fifth wheel. **Quick. Easy. NO TOOLS.**
- ✓ **Built to take it**—These robust fifth wheels handle the toughest loads with improved stability on the road and at the job site.
- ✓ **Convertible design**—Adding Fontaine Part Number: **KIT-NO-TILT** to an HDS, HDI, PMH or PMX mount converts the fifth wheel to a No-Tilt (**N**) model. Example: convert the Heavy-Duty Slide (HDS) to No-Tilt Heavy-Duty Slide (**NHDS**) by simply bolting on the kit.
- ✓ **Add flexibility to your fleet** with these durable, convertible fifth wheel mounts—perfect for frameless dump applications.

New Fontaine Heavy-Duty/ Severe-Duty Fifth Wheel Mounts	
Model Number	Description
HDS	Heavy/Severe-Duty Slide Outboard mount
NHDS	No-Tilt Heavy/Severe-Duty Slide Outboard mount
HDI	Heavy/Severe-Duty Slide Inboard angle mount
NHDI	No-Tilt Heavy/Severe-Duty Slide Inboard angle mount
PMH	Plate Mount Heavy/Severe-Duty 37 1/4" bolt centers
NPMH	No-Tilt Plate Mount Heavy/Severe-Duty 37 1/4" centers
PMX	Plate Mount Heavy/Severe-Duty 38" bolt centers
NPMX	No-Tilt Plate Mount Heavy/Severe-Duty 38" bolt centers

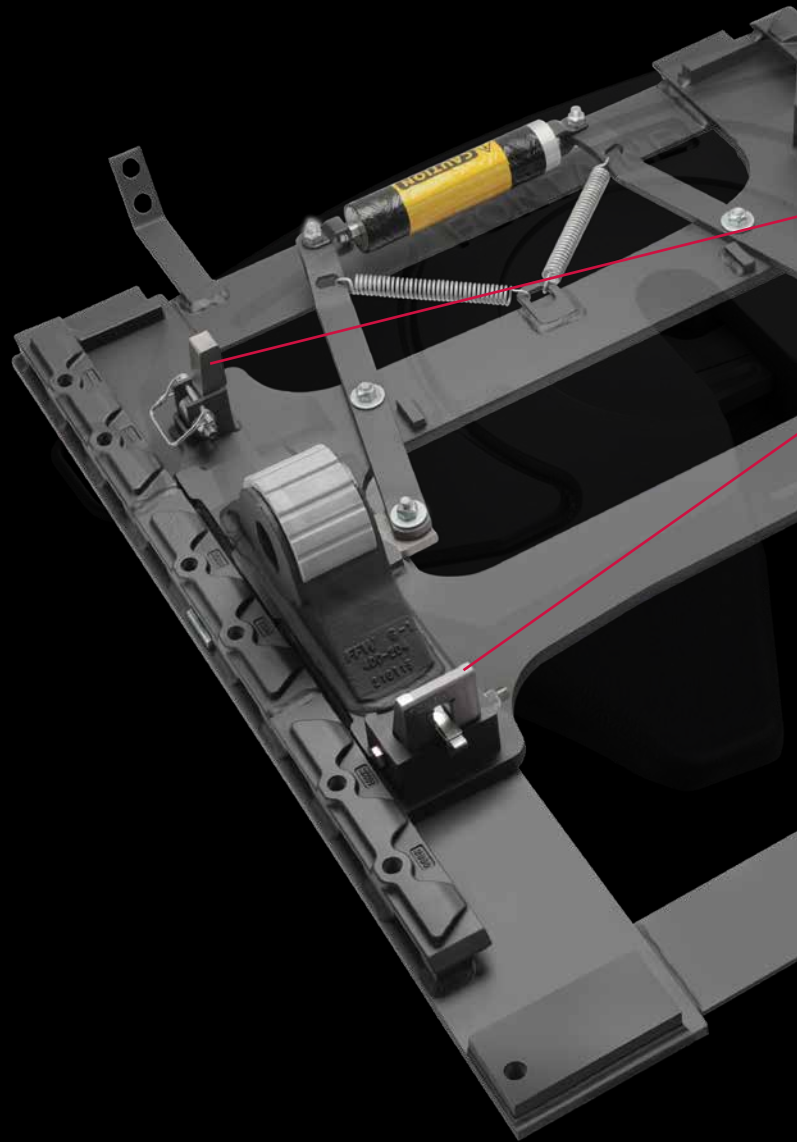
Heavy/Severe-Duty No-Slack® top plates that get it done!



7000 Series
Heavy-Duty
55,000 lbs vertical load
Up to 140,000 lbs GCW



H7 Series
Heavy/Severe-Duty
70,000 lbs vertical load
Up to 180,000 lbs GCW



Adding Part Number: **KIT-NO-TILT** to HDS, HDI, PMH or PMX mounts converts the fifth wheel to No-Tilt. Easy to install ... in minutes!

For more information contact your Fontaine representative or visit www.fifthwheel.com



FONTAINE ADVANCED NO-TILT FIFTH WHEEL

Built tough and



Get connected.

A Marmon | Berkshire

ANCED DESIGN TH WHEELS

easy to operate

All four No-Tilt stops are shown in the "up" or engaged position to prevent the fifth wheel from rocking



Simply disengage the four stops to switch from a No-Tilt to a rocking fifth wheel. Quick. Easy. **NO TOOLS.**

NHDS Sliding fifth wheel mount shown with No-Tilt engaged

All four No-Tilt stops are shown in the "down" or disengaged position to allow the fifth wheel to rock back and forth

NPMH Stationary fifth wheel mount shown with No-Tilt disengaged

TAININE[®]
WHEEL

Stay connected.

The Hathaway Company

FONTAINE ADVANCED DESIGN NO-TILT FIFTH WHEELS

7000 Series

55,000 lbs vertical load
Up to 140,000 lbs GCW

HEAVY-DUTY MODELS

NHDS No-Tilt Outboard Slide Mount

Assembly Part Number	Height	Slide	Weight Lbs
SL7NHDS800012	8"	12"	507
SL7NHDS900012	9"	12"	516
SL7NHDS100012	10"	12"	525
SL7NHDS800024	8"	24"	529
SL7NHDS900024	9"	24"	538
SL7NHDS100024	10"	24"	548
SL7NHDS800036	8"	36"	559
SL7NHDS900036	9"	36"	568
SL7NHDS100036	10"	36"	577
SL7NHDS800048	8"	48"	589
SL7NHDS900048	9"	48"	598
SL7NHDS100048	10"	48"	607
SL7NHDS800060	8"	60"	611
SL7NHDS900060	9"	60"	620
SL7NHDS100060	10"	60"	629
SL7NHDS800072	8"	72"	634
SL7NHDS900072	9"	72"	643
SL7NHDS100072	10"	72"	652

NHDI* No-Tilt Inboard Slide Mount

Assembly Part Number	Height	Slide	Weight Lbs
SL7NHDI850012	8 1/2"	12"	540
SL7NHDI950012	9 1/2"	12"	549
SL7NHDI1050012	10 1/2"	12"	559
SL7NHDI850024	8 1/2"	24"	576
SL7NHDI950024	9 1/2"	24"	585
SL7NHDI1050024	10 1/2"	24"	595
SL7NHDI850036	8 1/2"	36"	612
SL7NHDI950036	9 1/2"	36"	621
SL7NHDI1050036	10 1/2"	36"	631
SL7NHDI850048	8 1/2"	48"	648
SL7NHDI950048	9 1/2"	48"	657
SL7NHDI1050048	10 1/2"	48"	667

NPMH No-Tilt Stationary Mount

Assembly Part Number	Height	Bolt Centers	Weight Lbs
SL7NPMH7500	7 1/2"	37 1/4"	394
SL7NPMH8500	8 1/2"	37 1/4"	403
SL7NPMH9500	9 1/2"	37 1/4"	413

NPMX No-Tilt Stationary Mount

Assembly Part Number	Height	Bolt Centers	Weight Lbs
SL7NPMX7500	7 1/2"	38"	402
SL7NPMX8500	8 1/2"	38"	407
SL7NPMX9500	9 1/2"	38"	416

H7 Series

70,000 lbs vertical load
Up to 180,000 lbs GCW

SEVERE-DUTY MODELS

NHDS No-Tilt Outboard Slide Mount

Assembly Part Number	Height	Slide	Weight Lbs
SLH7NHDS800012	8"	12"	589
SLH7NHDS900012	9"	12"	598
SLH7NHDS100012	10"	12"	607
SLH7NHDS800024	8"	24"	611
SLH7NHDS900024	9"	24"	620
SLH7NHDS100024	10"	24"	630
SLH7NHDS800036	8"	36"	641
SLH7NHDS900036	9"	36"	650
SLH7NHDS100036	10"	36"	629
SLH7NHDS800048	8"	48"	671
SLH7NHDS900048	9"	48"	680
SLH7NHDS100048	10"	48"	689
SLH7NHDS800060	8"	60"	693
SLH7NHDS900060	9"	60"	702
SLH7NHDS100060	10"	60"	711
SLH7NHDS800072	8"	72"	715
SLH7NHDS900072	9"	72"	724
SLH7NHDS100072	10"	72"	733

NHDI* No-Tilt Inboard Slide Mount

Assembly Part Number	Height	Slide	Weight Lbs
SLH7NHDI850012	8 1/2"	12"	621
SLH7NHDI950012	9 1/2"	12"	631
SLH7NHDI1050012	10 1/2"	12"	641
SLH7NHDI850024	8 1/2"	24"	659
SLH7NHDI950024	9 1/2"	24"	669
SLH7NHDI1050024	10 1/2"	24"	677
SLH7NHDI850036	8 1/2"	36"	694
SLH7NHDI950036	9 1/2"	36"	703
SLH7NHDI1050036	10 1/2"	36"	714
SLH7NHDI850048	8 1/2"	48"	730
SLH7NHDI950048	9 1/2"	48"	739
SLH7NHDI1050048	10 1/2"	48"	749

NPMH No-Tilt Stationary Mount

Assembly Part Number	Height	Bolt Centers	Weight Lbs
SLH7NPMH7500	7 1/2"	37 1/4"	467
SLH7NPMH8500	8 1/2"	37 1/4"	473
SLH7NPMH9500	9 1/2"	37 1/4"	480

NPMX No-Tilt Stationary Mount

Assembly Part Number	Height	Bolt Centers	Weight Lbs
SLH7NPMX7500	7 1/2"	38"	472
SLH7NPMX8500	8 1/2"	38"	478
SLH7NPMX9500	9 1/2"	38"	485



FONTAINE
FIFTH WHEEL

www.fifthwheel.com

Get connected. Stay connected.

800-874-9780 • Email: parts@fifthwheel.com

A Marmon | Berkshire Hathaway Company

***Note:** HDI and NHDI (No-Tilt) inboard slide models are first fit assemblies only and are not available through the Fontaine Fifth Wheel aftermarket at this time.

IMPORTANT – Read and follow all product instructions before installation, use, and performing maintenance. Instructions available at www.fifthwheel.com.

Get the app @ FifthWheel.com/app

@FifthWheelParts

FontaineFifthWheel